

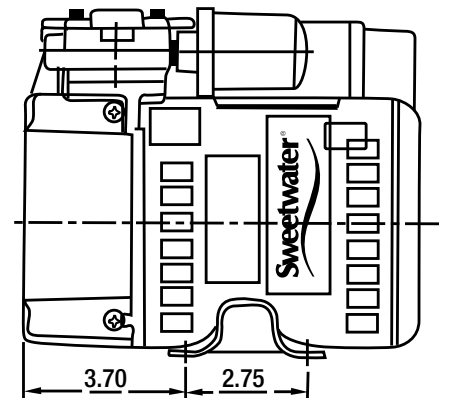
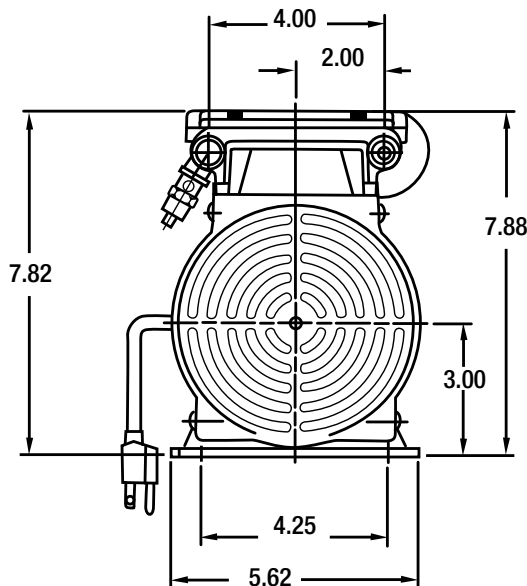
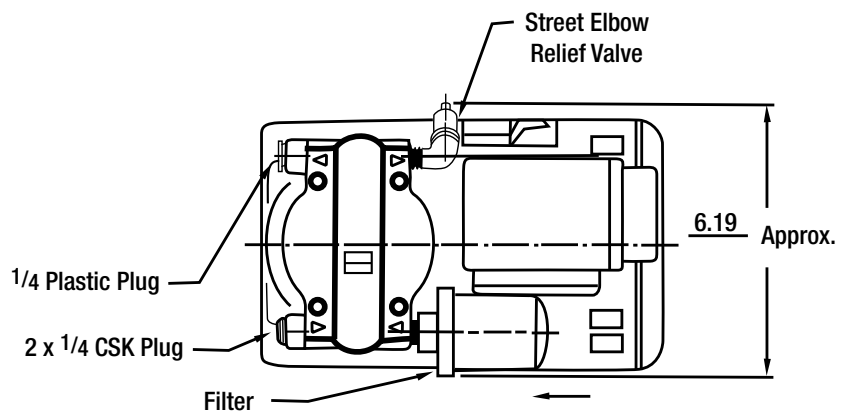
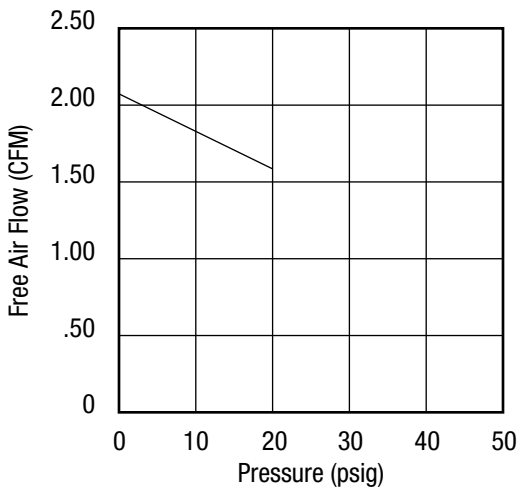
# AQ101

# Detail Sheet



Sound Level: less than 70 db(A)  
 Normal Ambient: 1°C. - 40°C.  
 Relative Humidity: 8% - 100% non-condensing  
 Environment: clean dust free

Technical data subject to change without notice.  
 All dimensions are reference only.  
 This pump must be installed in an enclosure.  
 Solid line is 60 cycle performance.



## Product Specifications

Part Number	Motor Voltage	rpm		Phase	hp	kW	Net Wt.		FLA Full Load AMPS	Capacitor mfd. - volts
		60 Cycle	50 Cycle				lbs	kg		
AQ101	100/100-115	1675	1400	1	1/3	0.25	14	6.4	4.4	7.5 - 370